

- SMALL SIZE
- UNIVERSAL INPUT SUPPLY
- HIGH PACKING DENSITY
- NO VENTS
- COOL RUNNING
- CE APPROVED
- UL APPROVED



DIN RAIL MOUNTED POWER SUPPLY SEM1300

DESCRIPTION

The SEM1300 is a DIN rail mounted power supply that provides a regulated 24V DC output @ 250mA from an AC supply ranging from 90 to 253V AC 50/60 Hz.

The SEM1300 is ideally suited for powering 24V process instrumentation and signal conditioning modules. Its small size allows for a compact installation.

The high efficiency of the SEM1300 power supply and its very cool running operation ensures a lower ambient temperature rise and hence improved reliability.

APPROVALS

Tested to:

- IEC 801-2 Susceptibility to electrostatic discharge
- IEC 801-3 Radiated Susceptibility
- IEC 801-4 Susceptibility to conducted interference
- EN 55022 Radiated emissions
- UL 508 Electrical Safety

SPECIFICATIONS @ 68°F

GENERAL

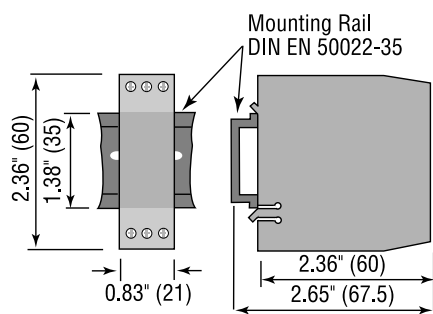
INPUT

- Supply range** 90-253V AC 50/60Hz
- Efficiency** 70% typical @ 230V AC 250mA
- Protection** 1 Amp anti-surge fuse must be fitted in live supply line (not supplied)
- Filter** Internal EMC filter
- Connections** Captive screw terminals

OUTPUT

- Voltage** 24V DC \pm 0.5% @ 250mA
- Ripple** 100mV p-p
- Indication** LED power on
- Isolation** 2500 V flash tested to supply
- Connections** Captive screw terminal
- Cable Size** 12 AWG Solid / 14 AWG Stranded
- Case Material** Polyamide (Grey)
- Case Flammability** To UL94-VO VDE 0304 Part 3 Level IIIA
- Mounting** Top Hat rail to DIN EN 50022-35
- Ambient Operating** 32° to 158°F
10-95% RH Non-condensing
NEMA 1

MECHANICAL DETAILS

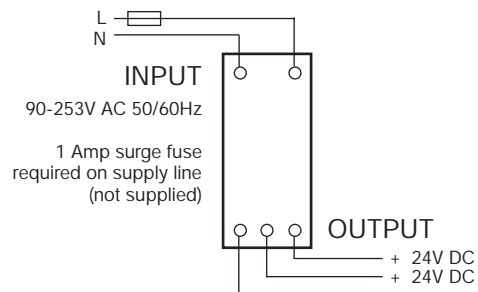


SEM1300 Weight approx. 3.6oz (100 g)

ORDER CODE

SEM1300 24V DC @ 250mA output

CONNECTION DETAILS



STATUS INSTRUMENTS INC.

PO Box 548, 456 Park Ave., Scotch Plains, NJ 07076
 Phone: (800) 700-3272 Fax: (800) 700-5468 (US & CA only)
 Phone: (908) 490-0232
 Email: rc@statinst.com Internet Address: www.statinst.com



SEM1300 7.02/PDF

- LOOP POWERED
- SMALL SIZE
- LINE POWER RATED RELAYS
- SINGLE OR DUAL TRIP
- FAIL SAFE LED INDICATION
- ACTIVE HIGH OR LOW



LOOP POWERED TRIP AMPLIFIERS SEM1401 AND SEM1402

DESCRIPTION

The SEM1401 and SEM1402 are loop powered trip alarms designed to accept a 4-20mA signal from a transmitter and to provide a single trip output (SEM1401) or two individual trip outputs (SEM1402). By utilizing the loop power, no separate supply is required to power the trip alarms. In turn, wiring is simplified and costs are reduced.

Their small size and the line rated relay contacts make them the ideal choice for many trip alarm applications.

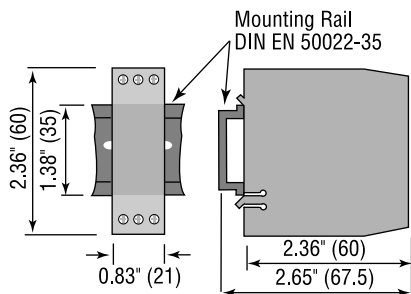
APPROVALS

EMC Testing. All versions are tested to:

- IEC 801-2 Susceptibility to electrostatic discharge
- IEC 801-3 Radiated Susceptibility
- IEC 801-4 Susceptibility to conducted interference
- EN 55022 Radiated emissions

EMC Less than 0.5% error to EN 50082-1

MECHANICAL DETAILS



SEM1401/02 Weight approx. 3.6oz (100 g)

ORDER CODE

- SEM1401** Single relay N.O./N.C. contacts
- SEM1402** Dual trip N.O. contacts

SPECIFICATIONS @ 68°F

GENERAL

INPUT

Type Two wire 4-20mA, (50mA Max)
Protection Reverse connection protected
Loop Drop 5V Max

OUTPUT

Alarm Contact(s) HIGH or LOW Active
 SEM1401 single relay with N.O. and N.C. contacts
 SEM1402 two single pole relays with N.O. contacts sharing a common connection
Resistive load 2A @ 250V AC/ 125V DC
Alarm LED(s) on module front face
Setpoint 0-100% multi-turn trim potentiometer(s) accessed on module front face
Repeatability ±0.2%
Hysteresis SEM1401 Adjustable 0.1 - 5% single turn trim pot on module front face
 SEM1402 Fixed 0.5%

Delay Failsafe

0.5 second fixed delay
 On loss of signal:
 HIGH Alarm...No alarm condition
 LOW Alarm...Alarm condition (i.e Alarm operates as if signal has fallen to -25%)

Isolation

3000V AC rms between contacts and input
 1000V AC rms between contacts

Ambient Operating

32° to 158°F
 10-95% RH non-condensing
 NEMA 1

Connections

Captive screw terminals
 Cable Size 12 AWG gage solid / 14 AWG gage stranded

Case Material

Gray polyamide

Flammability

To UL94-V0 VDE 0304 Part 3 level IIIA



STATUS INSTRUMENTS INC.

PO Box 548, 456 Park Ave., Scotch Plains, NJ 07076
 Phone: (800) 700-3272 Fax: (800) 700-5468 (US & CA only)
 Phone: (908) 490-0232
 Email: rc@statinst.com Internet Address: www.statinst.com



SEM1401 & 1402 7.01/PDF