

# BATTERY POWERED THERMOMETER

## DM660P

- BATTERY POWERED
- 4 DIGIT DISPLAY
- RTD INPUT
- PUSH BUTTON MAX / MIN TEMPERATURE
- 4" DIAL with STAINLESS STEEL HOUSING
- SEALED TO IP65

## INTRODUCTION

The DM660P is a battery powered indicator that accepts a Pt100 sensor input and displays the sensor temperature on a 4 digit LCD display. The unit is microprocessor based and provides high accuracy performance over a wide ambient operating temperature range. Max/Min temperature buttons are provided on the front panel. Different sensor types are selected using a rotary switch on the rear of the unit.



## SPECIFICATIONS @ 68°F

### GENERAL

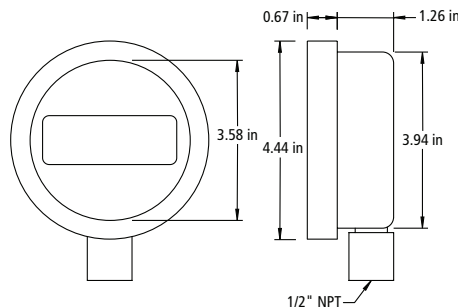
<b>Sensors</b>	
RTD	Pt100, Ni100, Ni120, Cu53, Cu100
Display	4 digit LCD 0.8" High
Display Update	2 Seconds
Ambient Operating	14 to 158°F
Battery Type	3.6 V Lithium AA replaceable
Battery Life	1 year minimum @ 68°F
'Battery Low' Alarm	Via display
Connection	3 terminal screw block
CE	EMC to BS EN 61326:2006

### ACCURACY / STABILITY

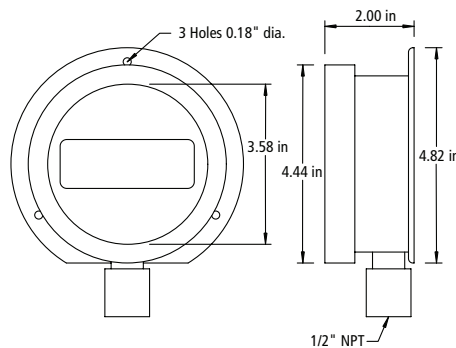
Sensor	Range °F	Accuracy @ 68°F	Temperature Stability
Pt100 3851	-145 to 1,470	±0.36°F ±0.1% of Reading	±0.03% Full Range / °F
Pt100 391	-145 to 1,165		
Pt100 392	-145 to 1,165		
Pt100 393	-145 to 1,470		
Ni100	-55 to 335		
Ni120	-95 to 500	±0.72°F ±0.1% of Reading	
Cu100	-110 to 480		
Cu53	-40 to 355		

### ORDER CODES:

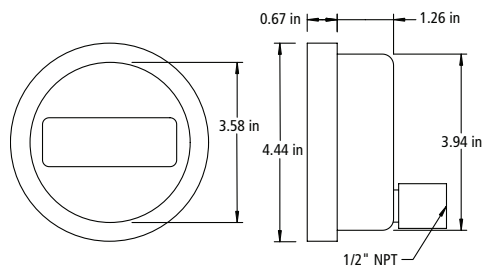
DM660	Input	/	Case Style	/	Fitting
P – RTD Input (Pt100)			A – Standard Side Entry B – Wall Mount Side Entry C – Standard Rear Entry D – Wall Mount Rear Entry		N – 1/2" NPT Blank – M16 x 1.5



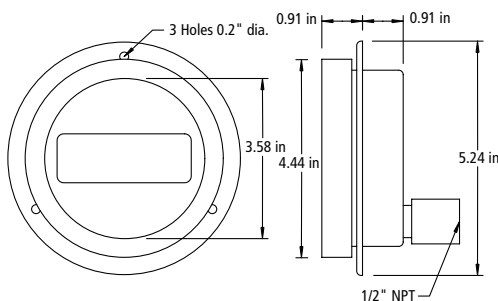
Standard Case Style A. Side Entry



Standard Case Style B. Wall Mount Side Entry



Standard Case Style C. Rear Entry



Standard Case Style D. Wall Mount Rear Entry

# ADDITIONAL BATTERY & LOOP POWERED INDICATORS

## Universal Indicating Field Mount Temperature Transmitter SEM710

- Pt100 RTD or Thermocouple (K,J,E,N,T,R,S) Input Sensors.
- Simple Configuration via USB Port.
- 4 Digit Display of Temperature in °C / °F or Output Drive in mA
- Input/Output Isolation.
- 4 to 20mA Two Wire Output.
- Push Button User Trim.
- Explosion Proof & NEMA 4X Housing Available.



## Battery Powered Field Mount Indicating Thermometer DM640TC and DM640P

- Battery Life Minimum One Year.
- Pt100 and Ni120Ω RTD Input Sensor (DM640P).
- Thermocouple (K,J,E,N,L,B,T,R,S) Input Sensors (DM640TC).
- Push Button Configuration.
- 4 Digit Display of Temperature in °C / °F.
- Optional ATEX Approved Intrinsically Safe Model Available.
- Encapsulated Electronics (IP67).
- Explosion Proof & NEMA 4X Housing Available.



## Loop Powered LED Indicators DM700I Field Mount and DM720 Panel Mount

- Push Button Programming (No Reference Signal Required).
- Loop Powered.
- 4 Digit LED Display.
- Local Transmitter Display.  
(Pressure, Level, Flow, Temperature, RH, etc.).
- HART Transparent.
- Push Button User Trim.
- Explosion Proof & NEMA 4X Housing Available for DM700I.

DM700I Field Mount Indicator



DM720 Panel Mount Indicator



## Local Representation



PO Box 548, 456 Park Ave., Scotch Plains, NJ 07076  
Phone: (800) 700-3272 Fax: (800) 700-5468 (US & CA only)  
Email: sales@statinst.com Web: www.statinst.com